

**L2+ 24-Port 100/1000X SFP + 8-Port Shared TP + 4-Port
10G SFP+ Managed Ethernet Switch**

GS-5220-16S8CR

Quick Installation Guide

Table of Contents

1. Package Contents	3
2. Requirements	4
3. Wiring the Power Inputs.....	5
4. Terminal Setup	6
4.1 Logging on to Console.....	7
4.2 Configuring IP Address	8
4.3 Saving the Configuration	9
5. Starting Web Management	10
5.1 Logging in to the Managed Switch.....	11
5.2 Saving Configuration via Web	13
6. Recovering Back to Default Configuration.....	14
7. Customer Support	15

1. Package Contents

Thank you for purchasing **Layer 2+ Gigabit/10 Gigabit Managed Ethernet Switch**. The description of this model is as follows:

Model	Description
GS-5220-16S8CR	L2+ 24-Port 100/1000BASE-X SFP + 8-Port Shared TP + 4-Port 10GBASE-X SFP+ Managed Ethernet Switch with Redundant AC/DC Power

In this guide, the term "**Managed Switch**" refers specifically to the GS-5220-16S8CR.

Open the box of the Managed Switch and carefully unpack it. The box should contain the following items:

- The Managed Switch x 1
- Quick Installation Guide Sheet x 1
- RJ45 to RS232 Cable x 1
- Rubber Feet x 4
- Rack-mount Accessory Kit x 1
- Power Cord x 1
- SFP Dust Cap x 28

If any item is found missing or damaged, please contact your local reseller for replacement.

2. Requirements

- Workstations running Windows 10/11, macOS 10.15 or later, Linux, UNIX, or other platforms are compatible with TCP/IP protocols.
- Workstations are installed with Ethernet NIC (Network Interface Card)
- **Serial Port Connection** (Terminal)
 - The above Workstations come with COM Port (DB9) or USB-to-RS232 converter.
 - The above Workstations have been installed with **terminal emulator**, such as Tera Term or PuTTY.
 - Serial cable -- one end is attached to the RS232 serial port, while the other end to the console port of the Managed Switch.
- **Ethernet Port Connection**
 - Network cables -- Use standard network (UTP) cables with RJ45 connectors.
 - The above Workstations are installed with Web browser.



Note

It is recommended to use Google Chrome, Microsoft Edge or FireFox to access the Managed Switch. If the Web interface of the Managed Switch is not accessible, please turn off the anti-virus software or firewall and then try it again.

3. Wiring the Power Inputs

The **Rear Panel** of the Managed Switch consists one terminal block connector within two contacts for DC power source and one power inlet for AC power source as shown in **Figure 3-1**.

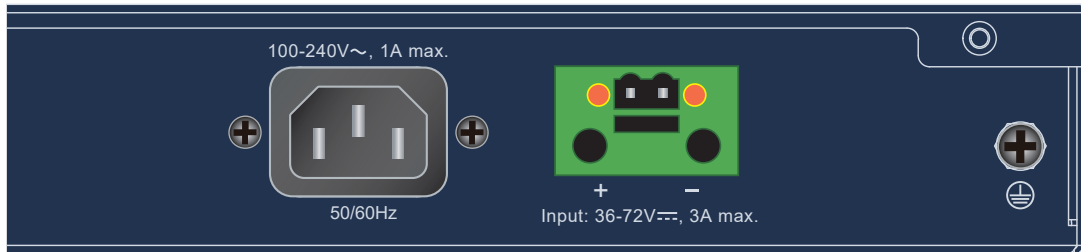


Figure 3-1: Inlet Power Socket

Users can connect both AC/DC power sources to the Managed Switch **if redundant power is required**. The specifications for DC/AC power are as follows:

Power source
DC: 36-72V, 3A Max.
AC: 100-240V, 50/60Hz, 1A Max.

4. Terminal Setup

To configure the system, connect a serial cable to a **COM port** on a PC or notebook computer and to **RJ45 type serial (console) port** of the Managed Switch as shown in **Figure 4-1**.

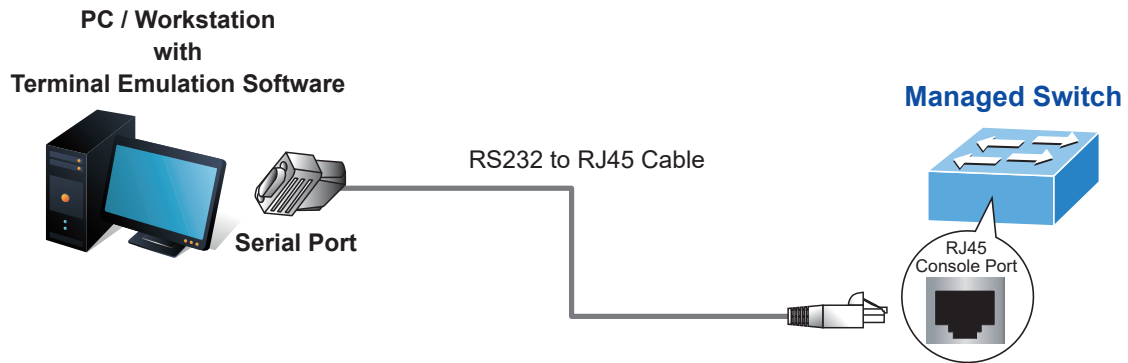


Figure 4-1: Managed Switch Console Connectivity

A terminal program is required to make the software connection to the Managed Switch. Tera Term program may be a good choice.

1. Run terminal program on the OS.
2. When the following screen appears, make sure that the COM port should be configured as:

- ◆ Baud: 115200
- ◆ Data bits: 8
- ◆ Parity: None
- ◆ Stop bits: 1
- ◆ Flow control: None

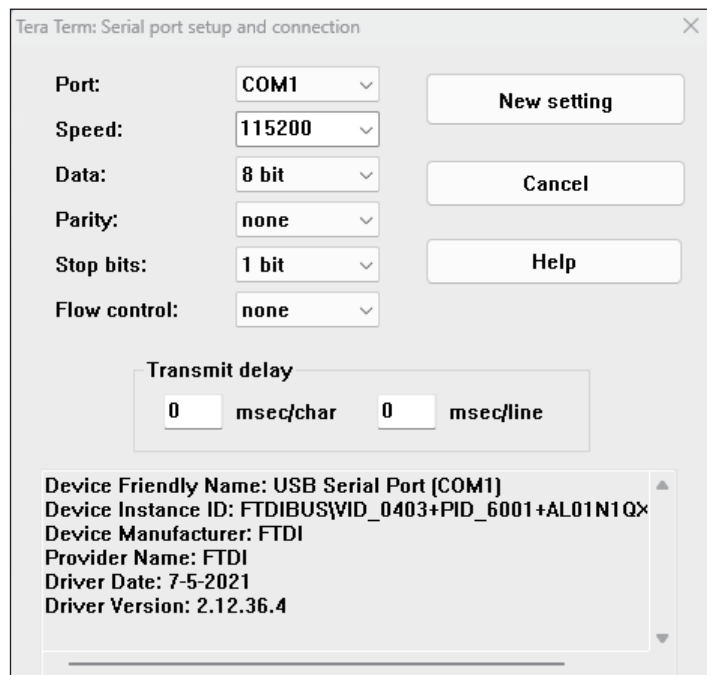


Figure 4-2: COM Port Configuration

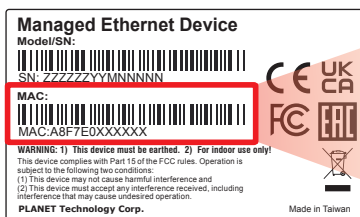
4.1 Logging on to Console

Once the terminal has been connected to the device, power on the Managed Switch and the terminal will display **“running testing procedures”**. Then, the following message asks for the login user name and password. The factory default user name and password are shown below.

Username: **admin**

Password: **sw + the last 6 characters of the MAC ID in lowercase**

Find the MAC ID on your device label. The default password is “sw” followed by the last six lowercase characters of the MAC ID.



MAC ID: A8F7E0XXXXXX

Default Password: swXXXXXX

(“x” means the last 6 digits of the MAC address.

All characters should be in lowercase.)

Figure 4-3: MAC ID Label

Enter the default username and password, then set a new password according to the rule-based prompt and confirm it. Upon success, press any key to return to the login prompt. Log in with “admin” and the “new password” to access CLI.

```
(New)Password: *****
Verify (New)Password: *****
Success.
Press any key to continue
Username: admin
Password: *****
GS-5220-16S8CR#
```

Figure 4-4: Create a New Password and Login Again

The user can now enter commands to manage the Switch. For a detailed description of the commands, please refer to the following chapters.



Note

1. For security reason, **please change and memorize the new password after this first setup.**
2. Only accept command in **lowercase letter** under console interface.

4.2 Configuring IP Address

The Managed Switch is shipped with default IP address as follows:

IP Address: **192.168.0.100**
Subnet Mask: **255.255.255.0**

To check the current IP address or modify a new IP address for the Managed Switch, please use the procedures as follows:



The following console screen is based on the firmware version of **September 2024 or later**.

■ Display of Current IP Address

1. At the "**GS-5220-16S8CR #**" prompt, enter the following command and press **<Enter>**.

```
GS-5220-16S8CR# show vlan interface
```

2. The screen displays the current IP address, as shown in **Figure 4-5**.

```
GS-5220-16S8CR# show vlan interface
VLAN | IP Address | Network Mask | DHCP | IPv6 Address/prefix | AutoConf | DHCPv6
-----|-----|-----|-----|-----|-----|-----
1 | 192.168.0.100 | 255.255.255.0 | Disable | fe80::aaf7:e0ff:fe12:3456/64 | Enable | Disable
GS-5220-16S8CR#
```

Figure 4-5: IP Information Screen

■ Configuration of the IP address

1. At the "GS-5220-16S8CR #" prompt, enter "configure".
2. At the "GS-5220-16S8CR (config)#" prompt, enter the following command and press <Enter> as shown in **Figure 4-6**.

```
GS-5220-16S8CR(config)# interface VLAN 1
GS-5220-16S8CR(config-if-vlan)# ip address 192.168.1.100 mask 255.255.255.0
```

The previous command would apply the following settings for the Managed Switch.

IP Address: 192.168.1.100
Subnet Mask: 255.255.255.0

```
GS-5220-16S8CR# configure
GS-5220-16S8CR(config)# interface VLAN 1
GS-5220-16S8CR(config-if-vlan)# ip address 192.168.1.100 mask 255.255.255.0
GS-5220-16S8CR(config-if-vlan)# end
GS-5220-16S8CR#
```

Figure 4-6: Configuring IP Address Screen

3. Repeat the previous steps to check if the IP address has changed.

If the IP is successfully configured, the Managed Switch will **apply the new IP address setting immediately**. You can access the Web interface of Managed Switch through the new IP address.

4.3 Saving the Configuration

At the "GS-5220-16S8CR #" prompt, enter "copy running-config startup-config" as shown in **Figure 4-7**.

```
GS-5220-16S8CR# copy running-config startup-config
Success
GS-5220-16S8CR#
```

Figure 4-7: Saving Current Configuration Command Screen



Note

If you are not familiar with console command or the related parameter, enter "?" anytime in console to get the help description.

5. Starting Web Management

The following shows how to start up the **Web Management** of the Industrial Managed Switch. Note the Industrial Managed Switch is configured through an Ethernet connection. Please make sure the manager PC must be set to the same **IP subnet address** as shown in **Figure 5-1**.

For example, the default IP address of the Industrial Managed Switch is **192.168.0.100**, then the manager PC should be set to **192.168.0.x** (where x is a number between 1 and 254, except 100), and the default subnet mask is **255.255.255.0**.

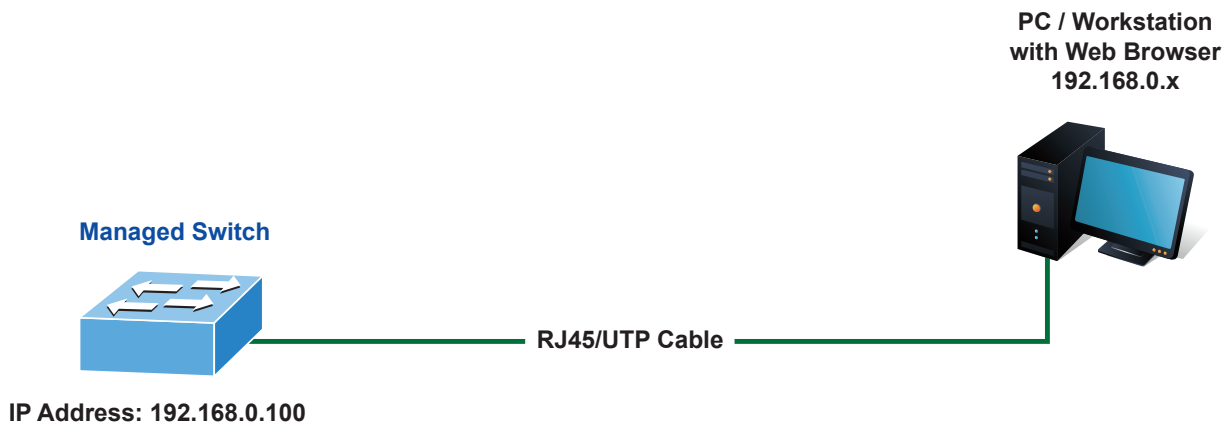


Figure 5-1: IP Management Diagram

5.1 Logging in to the Managed Switch

1. Use Google Chrome or above Web browser and enter IP address **<https://192.168.0.100>** to access the Web interface.
2. When the following dialog box in **Figure 5-2** appears, please enter the default user name and password. Refer to **Figure 4-3** to determine your initial login password.

Default IP Address: **192.168.0.100**

Default Username: **admin**

Default Password: **sw + the last 6 characters of the MAC ID in lowercase**

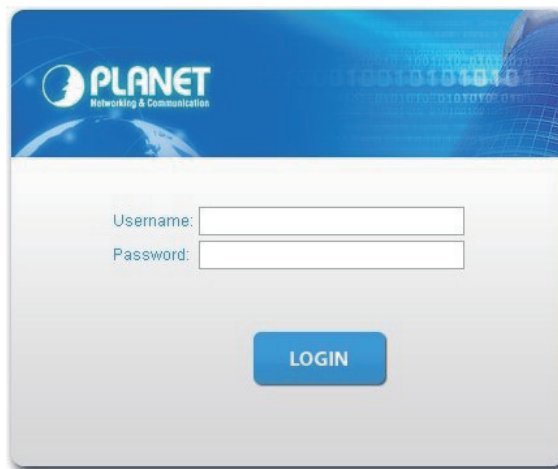


Figure 5-2: Web Login Screen

3. After logging in, you will be prompted to change the initial password to a permanent one.

Change New Password	
New Password	
Password	<input type="text"/>
Retype Password	<input type="text"/>
<input type="button" value="Apply"/>	

Figure 5-3: Create a New Password

4. Once the password change is complete, re-enter the web interface using your new password and the main screen appears as **Figure 5-4** shows.



Figure 5-4: Web Main Screen of Managed Switch

The Switch Menu on the left of the Web page lets you access all the commands and statistics the Switch provides.



Figure 5-5: Switch Menu



Figure 5-6: Switch Sub-menu

Now, you can use the Web management interface to continue the Switch management.

Please refer to the user’s manual for more.

5.2 Saving Configuration via Web

To save all applied changes and set the current configuration as a startup configuration, the startup-configuration file will be loaded automatically across a system reboot.

1. Click **“Save icon > Save Configurations”** to log in to the **“Configuration Manager”** page.

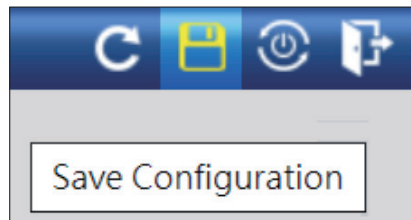


Figure 5-7: Save Icon

2. Press the **“Apply”** button to save running configuration to start up configuration.

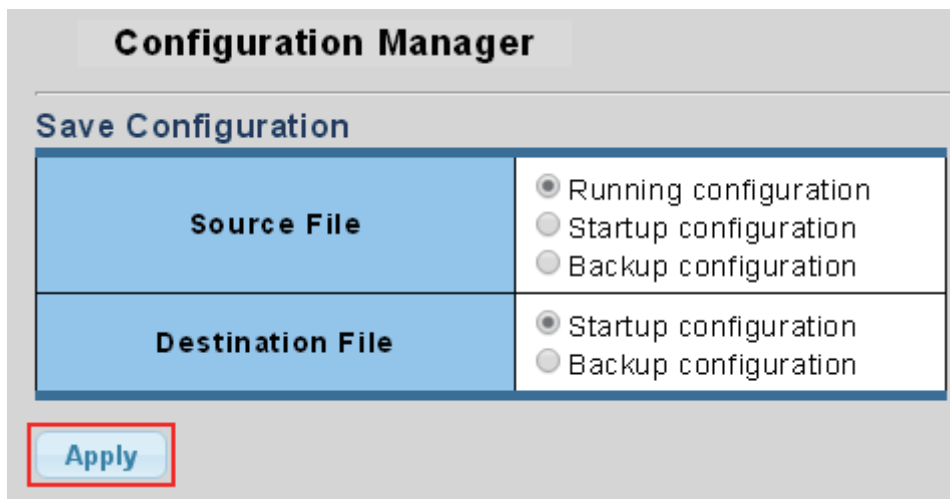


Figure 5-8: Save Configuration

6. Recovering Back to Default Configuration

■ IP address has been changed or admin password has been forgotten –

To reset the IP address to the default IP Address "**192.168.0.100**" or reset the login password to default value, press the hardware reset button on the front panel for about **10 seconds**.

After the device is rebooted, you can log in the management Web interface within the same subnet of "**192.168.0.xx**".

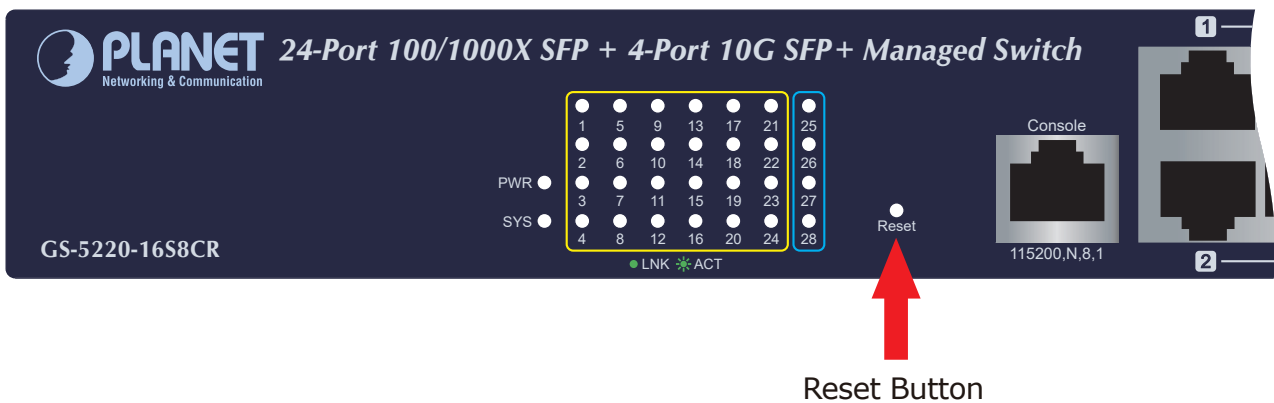


Figure 6-1: GS-5220-16S8CR Reset Button

7. Customer Support

Thank you for purchasing PLANET products. You can browse our online FAQ resource at the PLANET Web site first to check if it could solve your issue. If you need more support information, please contact PLANET support team.

PLANET online FAQs:

<https://www.planet.com.tw/en/support/faq>

Switch support team mail address:

support@planet.com.tw

GS-5220-16S8CR User's Manual:

<https://www.planet.com.tw/en/support/downloads?&method=keyword&keyword=GS-5220-16S8CR&view=3#list>



(Please select your switch model name from the drop-down menu of Product Model.)

Copyright © PLANET Technology Corp. 2024.

Contents are subject to revision without prior notice.

PLANET is a registered trademark of PLANET Technology Corp.

All other trademarks belong to their respective owners.