

## 1. Package Contents

Thank you for purchasing PLANET Industrial 4G LTE Cellular Wireless Gateway. Please refer to the table list below for the models used in Europe and the U.S.:

Model Name	4G LTE		GPS
	FDD	TDD	
ICG-2510W-LTE-EU	B1/B3/B5/B7/B8/B20	B38/B40/B41	-
ICG-2510WG-LTE-EU			■
ICG-2510W-LTE-US	B2/B4/B12		-
ICG-2510WG-LTE-US			■



Please contact your cellular carrier for more details about LTE band support.

“Cellular Gateway” is used as an alternative name in this Quick Installation Guide.

- 1 -

## 2. Requirements

- Workstations running Windows 10/XP/2003/Vista/7/8/2008, MAC OS X or later, Linux, UNIX, or other platforms are compatible with TCP/IP protocols.
- Workstations are installed with Ethernet NIC (Network Interface Card)
- Ethernet Port Connection
  - Network cables -- Use standard network (UTP) cables with RJ45 connectors.
  - The above PC is installed with Web browser and JAVA runtime environment plug-in.



It is recommended to use Internet Explorer 8.0 or above to access the Cellular Gateway. If the Web interface of the Cellular Gateway is not accessible, please turn off the anti-virus software or firewall and then try it again.

- 3 -

## 3. Starting Web Management

The following shows how to start up the **Web Management** of the Cellular Gateway. Note the Cellular Gateway is configured through an Ethernet connection. Please make sure the manager PC must be set to the same **IP subnet address**.

For example, the default IP address of the Cellular Gateway is **192.168.1.1**, then the manager PC should be set to **192.168.1.x** (where x is a number between 2 and 254), and the default subnet mask is 255.255.255.0.

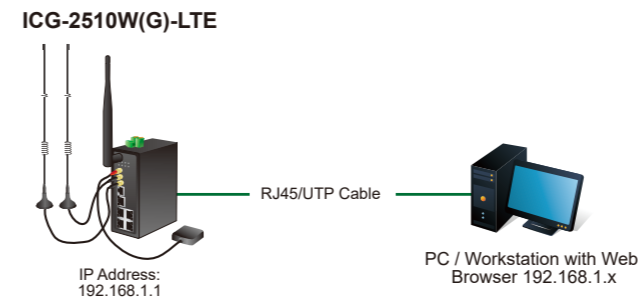


Figure 3-1: IP Management Diagram

- 5 -

- When any function item is pressed, the following dialog box will appear. Please enter the default user name and password “**admin**” (or the password you have changed at the beginning).

Default IP Address: **192.168.1.1**  
 Default Username: **admin**  
 Default Password: **admin**



Figure 3-3: Login Screen

- 7 -

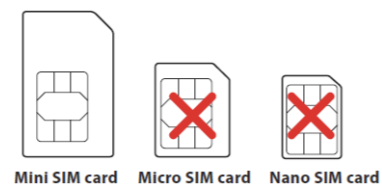
Open the box of the **Cellular Gateway** and carefully unpack it. The box should contain the following items:

- Industrial 4G LTE Cellular Wireless Gateway x 1
- Quick Installation Guide x 1
- I/O connector x 2
- Power connector x 1
- Ethernet cable x 1
- Console cable x 1
- 4G LTE antenna x 2
- Wi-Fi antenna x 1
- GPS antenna x 1 (for ICG-2510WG-LTE)
- DIN-rail kit x 1
- Side panel with two screws x 1
- Antenna dust cap x 4 (ICG-2510W-LTE x 3)

If any item is found missing or damaged, please contact your local reseller for replacement.

- 2 -

- Console Port Connection (Terminal)
  - The above Workstations come with COM port (DB9) or USB-to-RS232 converter.
  - The above Workstations have been installed with terminal emulator, such as Hyper Terminal included in Windows XP/2003.
  - Console cable -- one end is attached to the COM port (DB9), while the other end to the console port of the Cellular Gateway.
- A mini SIM card with LTE and WCDMA subscription



- 4 -

### Logging in to the Cellular Gateway

- Use Internet Explorer 8.0 or above Web browser and enter IP address **http://192.168.1.1** (the factory default IP address or the one that you have just changed in console) to access the Web interface.
- After entering the **http://192.168.1.1** the main screen appears as Figure 3-2 shows.

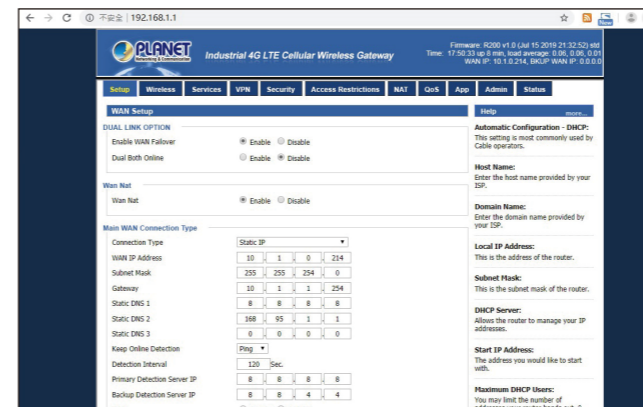


Figure 3-2: Web-based Main Screen of Cellular Gateway

- 6 -

The Cellular Gateway Menu on the top of the Web page lets you access all the commands and statistics the Cellular Gateway provides.



Figure 3-4: Cellular Gateway Menu

Now, you can use the Web management interface to continue the Cellular Gateway management or manage the Cellular Gateway by console interface. Please refer to the user’s manual for more.

- 8 -

## 4. Terminal Setup

It is optional for you to configure the system by connecting a serial cable (not included in the package) to a COM port on a PC or notebook computer and to the console port of the Cellular Gateway.

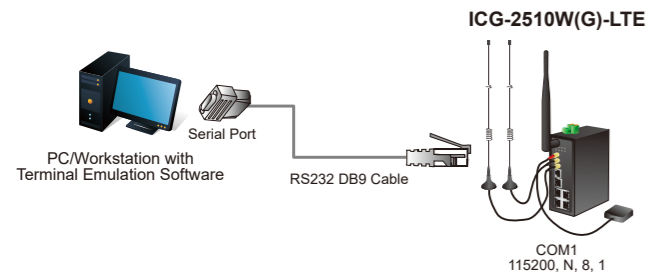


Figure 4-1: Cellular Gateway Console Connectivity

A terminal program is required to make the software connection to the Cellular Gateway.

1. Run terminal program on the OS.

2. When the following screen appears, make sure that the COM port should be configured as:

- ◆ Baud: 115200
- ◆ Data bits: 8
- ◆ Parity: None
- ◆ Stop bits: 1
- ◆ Flow control: None

- 9 -

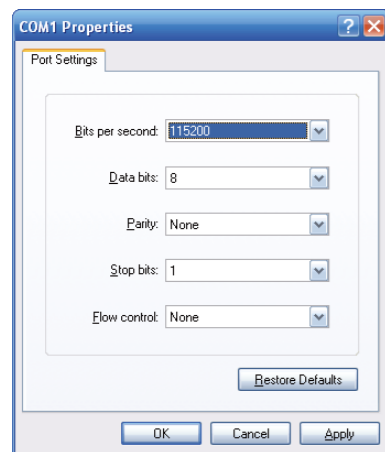


Figure 4-2: COM Port Configuration

### 4.1. Logging on to Console

Once the terminal is connected to the device, power on the Cellular Gateway, and the terminal will display "running testing procedures". Then, the following message asks to log in user name and password. The factory default user name and password are shown as follows and the login screen in Figure 4-3 appears.

```
Username: admin
Password: admin
```

```
ICG-2510W-LTE v2.0 std (c) 2012
Release: Sep 6 2019 11:04:13 (SVN revision: 3940M)

ICG-2510W-LTE login: admin
Password:
admin@ICG-2510W-LTE:~#
```

Figure 4-3: Cellular Gateway Console Login Screen

The user can now enter commands to manage the Cellular Gateway. For a detailed description of the commands, please refer to the following chapters.



- Note
1. For security reason, please change and memorize the new password after this first setup.
  2. Only accept command in lowercase letter under console interface.

### 4.2. Configuring IP Address

The Cellular Gateway is shipped with default IP address shown below.

```
IP Address: 192.168.1.1
Subnet Mask: 255.255.255.0
```

To check the current IP address or modify a new IP address for the Cellular Gateway, please use the procedure as follows:

- 11 -

#### ■ Show the current IP Address

1. At the "#" prompt, enter "nvram get lan\_ipaddr".
2. The screen displays the current IP address as shown in Figure 4-4.

```
admin@ICG-2510W-LTE:~# nvram get lan_ipaddr
192.168.1.1
admin@ICG-2510W-LTE:~#
```

Figure 4-4: IP Information Screen

#### ■ Configuring IP Address

3. At the "#" prompt, enter the following command and press <Enter> as shown in Figure 4-5.

```
admin@ICG-2510W-LTE:~#
~# nvram set lan_ipaddr=192.168.4.1
admin@ICG-2510W-LTE:~# nvram commit
```

The previous command would apply the following settings for the Cellular Gateway.

```
IP Address: 192.168.4.1
Subnet Mask: 255.255.255.0
```

```
admin@ICG-2510W-LTE:~# nvram set lan_ipaddr=192.168.4.1
admin@ICG-2510W-LTE:~# nvram commit
admin@ICG-2510W-LTE:~# reboot
```

Figure 4-5: Configuring IP Address Screen

4. Repeat Step 1 to check if the IP address has changed.

- 10 -

- 12 -



Quick Installation Guide



### PLANET Technology Corp.

10F., No. 96, Minquan Rd., Xindian Dist., New Taipei City 231, Taiwan

Warning:  
This device is compliant with Class A of CISPR 32.  
In a residential environment this device may cause radio interference.  
2011-B90380-000



## 5. Recovering Back to Default Configuration

### ■ IP address has been changed or admin password has been forgotten –

To reset the IP address to the default IP address "192.168.1.1" or reset the login password to default value, press the hardware reset button on the rear panel for about **15 seconds**. After the device is rebooted, you can log in the management Web interface within the same subnet of 192.168.1.xx.

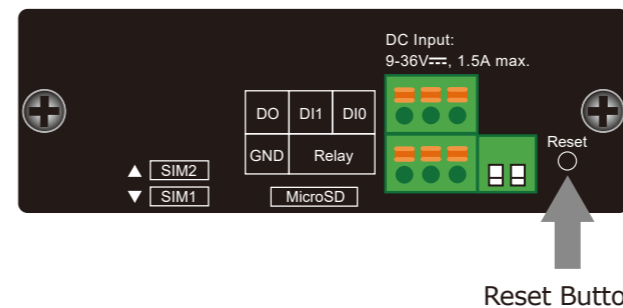


Figure 5-1: ICG-2510W-LTE/ICG-2510WG-LTE Reset Button

## 6. Customer Support

You can browse our online FAQ resource and User's Manual on PLANET Web site first to check if it could solve your issue. If you need more support information, please contact PLANET support team.

PLANET online FAQs:  
<https://www.planet.com.tw/en/support/faq.php?method=keyword&keyword=ICG-2510>

Support team mail address:  
[support@planet.com.tw](mailto:support@planet.com.tw)

ICG-2510W-LTE and ICG-2510WG-LTE User's Manual:  
<https://www.planet.com.tw/en/support/downloads?&method=keyword&keyword=ICG-2510W&view=3#list>



(Please select your model name from the drop-down menu of Product Models.)

Copyright © PLANET Technology Corp. 2019.  
Contents are subject to revision without prior notice.  
PLANET is a registered trademark of PLANET Technology Corp. All other trademarks belong to their respective owners.

- 13 -