

DC Single Output Industrial DIN-rail Power Supply Units



Compact Size with more Practicability and Convenience

PLANET has released a series of DC single output industrial DIN-rail power supply units to make sure that industrial Ethernet devices, specially designed for the harsh working environment, get DC voltage power easily.

PLANET DC single output industrial DIN-rail power supply units accept universal 100-240V AC input voltage and provide 24V DC power output with various watt values. Its power supply units are designed in compact size and can be installed on DIN rail TS-35/7.5 or 15. It is an ideal and convenient DC power feeding solution for industrial devices installed in heavy Industrial environments.

Stable Performance under Difficult Environments

PLANET DC single output industrial DIN-rail power supply units provide industrial Ethernet devices with short circuit, overload, over voltage and over temperature protection to enable to have a stable operation. The units use the free air convection cooling system. Being able to operate under the temperature range from -20 to 70 degrees C, the DC single output industrial DIN-rail power supply units can be placed in almost any difficult environments.

PWR-40-24 (MEAN WELL/MDR-40-24)

- Universal AC input / full range
- Protection: short circuit, overload and over voltage
- Cooling by free air convection
- For installation on DIN rail TS-35/7.5 or 15
- NEC class 2 / LPS compliant
- LED indicator for power on
- DC OK relay contact
- No load power consumption<0.75W
- 100% full load burn-in test

PWR-60-24 (MEAN WELL/MDR-60-24)

- Universal AC input / full range
- Protection: short circuit, overload and over voltage
- Cooling by free air convection
- For installation on DIN rail TS-35/7.5 or 15
- LED indicator for power on
- DC OK relay contact
- No load power consumption<0.75W
- 100% full load burn-in test

PWR-75-24 (MEAN WELL/NDR-75-24)

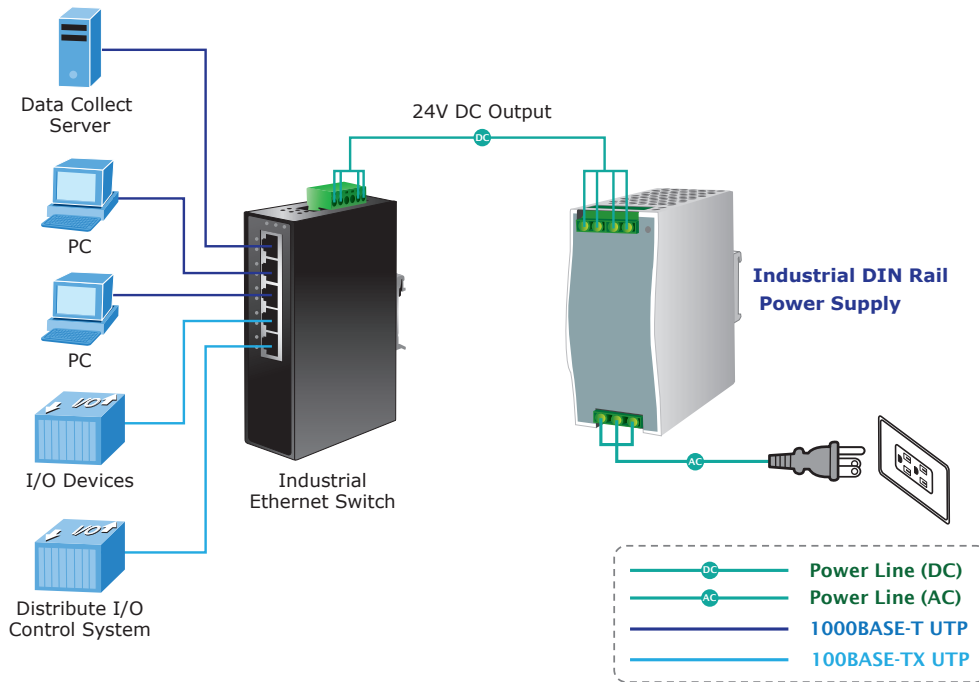
- Universal AC input / full range
- Protection: short circuit, overload, over voltage and over temperature
- Cooling by free air convection
- For installation on DIN rail TS-35/7.5 or 15
- UL 508 (industrial control equipment) approved
- EN61000-6-2 (EN50082-2) industrial immunity level
- 100% full load burn-in test

Applications

Ideal DC 24V Power Feeding Solution for Non-PoE Industrial Devices

The following DC single output industrial DIN-rail power supply units are able to supply sufficient 24V power to non-PoE industrial devices, such as industrial Fast/Gigabit Ethernet switches and industrial VDSL2 converters. The model names and specifications are:

- **PWR-40-24 (MEAN WELL/MDR-40-24):** 40W 24V DC Single Output Industrial DIN-rail Power Supply (-20 ~ 70 degrees C)
- **PWR-60-24 (MEAN WELL/MDR-60-24):** 60W 24V DC Single Output Industrial DIN-rail Power Supply (-20 ~ 70 degrees C)
- **PWR-75-24 (MEAN WELL/NDR-75-24):** 75W 24V DC Single Output Industrial DIN-rail Power Supply (-20 ~ 70 degrees C)



Specifications

Model	PWR-40-24 (MEAN WELL/MDR-40-24)
Hardware Specifications	
Dimensions (W x D x H)	40 x 100 x 90mm
Weight (kg)	0.3kg
Input Voltage	85 ~ 264VAC ,50/60Hz 120 ~ 370V DC
Power Output	40 watts, 24V, 1.7A
Temperature	Operating: -20~70 degrees C Storage: -40~85 degrees C
Humidity	Operating: 20 ~ 90% Storage: 10 ~ 95% (non-condensing)
Installation	DIN Rail TS-35/7.5 or 15
Safety & Function	UL508, TUV EN60950-1 approved, NEC class 2 / LPS compliant

Model	PWR-60-24 (MEAN WELL/MDR-60-24)
Hardware Specifications	
Dimensions (W x D x H)	40 x 100 x 90mm
Weight (kg)	0.3kg
Input Voltage	85 ~ 264VAC,50/60Hz 120 ~ 370V DC
Power Output	60 watts, 24V, 2.5A
Temperature	Operating: -20~70 degrees C Storage: -40~85 degrees C
Humidity	Operating: 20 ~ 90% Storage: 10 ~ 95% (non-condensing)
Installation	DIN Rail TS-35/7.5 or 15
Safety & Function	UL508, TUV EN60950-1 approved

Model	PWR-75-24 (MEAN WELL/NDR-75-24)
Hardware Specifications	
Dimensions (W x D x H)	32 x 102 x 125mm
Weight (kg)	0.5kg
Input Voltage	90 ~ 264VA, 50/60Hz 127 ~ 370V DC [DC input operation possible by connecting AC/L(+), AC/N(-)]
Power Output	75 watts, 24V, 3.2A
Temperature	Operating: -20~70 degrees C Storage: -40~85 degrees C
Humidity	Operating: 20 ~ 95% Storage: 10 ~ 95% (non-condensing)
Installation	DIN Rail TS-35/7.5 or 15
Safety & Function	UL508, TUV EN60950-1 approved (meet EN60204-1)

Ordering Information

PWR-40-24 (MEAN WELL/MDR-40-24)	40W 24V DC Single Output Industrial DIN-rail Power Supply (-20 ~ 70 degrees C)
PWR-60-24 (MEAN WELL/MDR-60-24)	60W 24V DC Single Output Industrial DIN-rail Power Supply (-20 ~ 70 degrees C)
PWR-75-24 (MEAN WELL/NDR-75-24)	75W 24V DC Single Output Industrial DIN-rail Power Supply (-20 ~ 70 degrees C)